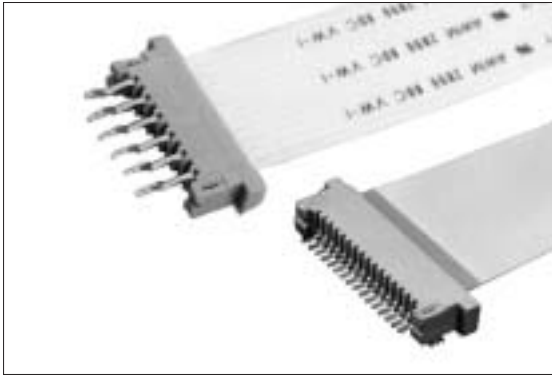


FC-10 Series 1.0mm Spacing (SMT & DIP Type)



FPC / FFC Connectors

Features

1. FC-10 series are FFC connectors featuring pins at 1.0mm spacing.
2. Insertion possible with minimal force due to LIF structure employed.
3. Choice of versions available, such as SMT and dip types, and lower or upper contact type.
4. A lead-free product.

Specifications

1. Rating : 0.5A, 50V AC/DC max.
2. Contact Resistance : 30mΩ, max.
3. Insulation Resistance : 1000MΩ, min. at 500V DC
4. Withstanding Voltage : 500V AC for one minute
5. Operating Temperature Range : -25°C to +70°C

Materials and Plating

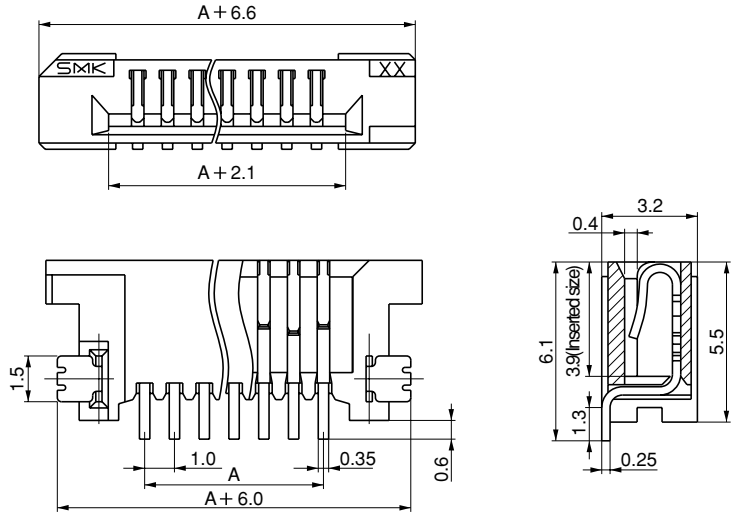
- Housing : Polyphenylene Sulfide (PPS), Natural Color, 94V-0
- Contact : Phosphor Bronze, Tin Plating

Note

Please contact our local sales agent for supply on embossed tape.

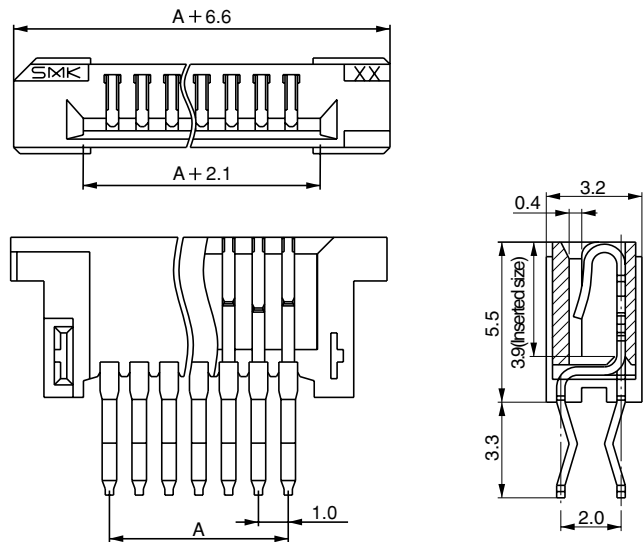
● SMT Type CFF23□□-01☒☒F

↑ No. of Pins



● DIP Type CFF61□□-0101F

↑ No. of Pins



□□	No. of Pins	A	□□	No. of Pins	A
05	5	4.0	18	18	17.0
06	6	5.0	19	19	18.0
07	7	6.0	20	20	19.0
08	8	7.0	21	21	20.0
09	9	8.0	22	22	21.0
10	10	9.0	23	23	22.0
11	11	10.0	24	24	23.0
12	12	11.0	25	25	24.0
13	13	12.0	26	26	25.0
14	14	13.0	27	27	26.0
15	15	14.0	28	28	27.0
16	16	15.0	29	29	28.0
17	17	16.0	30	30	29.0

☒☒	Packing Style	pcs/reel
01	Embossed Taping	1000
02	Pack in Bulk	—

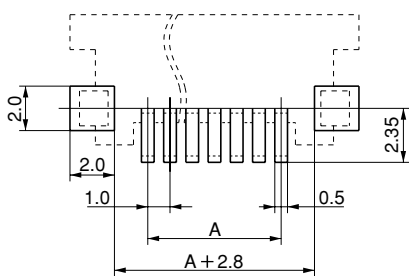
● List of the FC-10 Series

Part No.	Contact Position	Structure	P.C. Board Dimension
CFF23□□-01☒☒F SMT—Right Angle—	Upper		
CFF43□□-01☒☒F SMT Reverse Right Angle—	Lower		
CFF41□□-01☒☒F SMT—Straight—	—	 Pin No.1	 Pin No.1
CFF51□□-0101F DIP—Straight—	—		 Pin No.1
CFF61□□-0101F DIP—Straight— Reverse Set	—		 Pin No.1
CFF33□□-0101F DIP—Right Angle—	Upper		 Pin No.1
CFF73□□-0101F DIP—Right Angle— Reverse Set	Upper		 Pin No.1
CFF83□□-0101F DIP Reverse Right Angle—	Lower		 Pin No.1

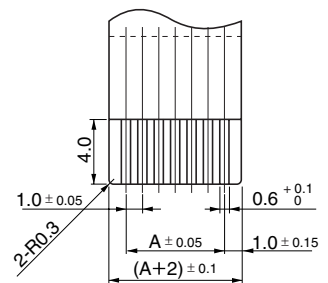
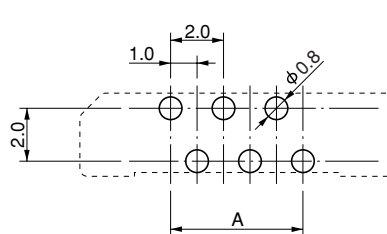
■ P.C. Board Dimension

■ Applicable FPC/FFC Dimension
($t=0.3\pm 0.05$)

● SMT Type



● DIP Type



● FPC plating to recommend : Tin plating